



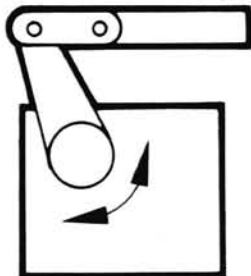
# Rotary Actuators

A NEW BREED OF POWER

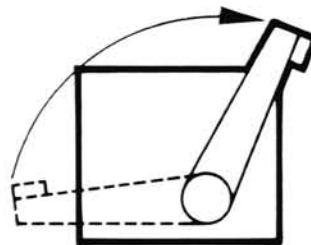
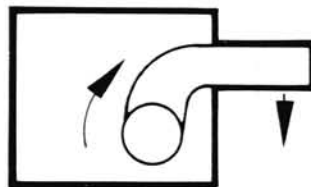


**SIMPLE, COMPACT,  
ROTATIONAL DEVICES**  
SPECIFICALLY ENGINEERED  
FOR CLOSE STACKING  
SIMPLIFIED AUTOMATION  
AND REDUCED PRODUCTION  
COSTS

PULL ← → PUSH



CLAMP



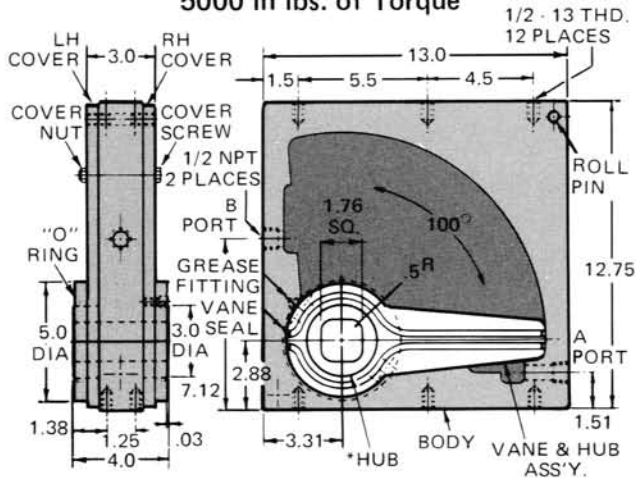
TRANSFER



FORM BENDING

# R2 - 5000T Rotary Actuator

5000 in lbs. of Torque

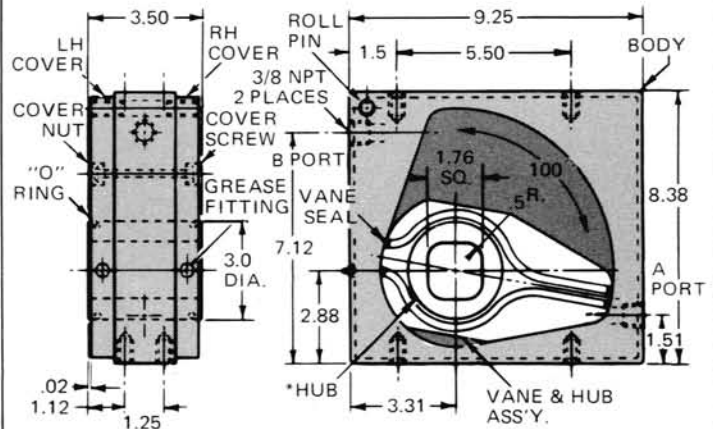


TO ORDER COMPLETE ROTARY ACTUATOR, COMPONENT PARTS, & OPTIONAL HUB. SEE CHART BELOW

DESCRIPTION	NO. REQ'D.	BTM NO.
Assembly	1	000040
Body	1	000041
RH Cover	1	000042
LH Cover	1	000043
Bearing	2	000044
Vane Ass'y.	1	000045
"O" Ring	2	000047
Cover Screw	17	000048
Cover Nut	17	000049
Grease Fitting	2	000050
Vane Seal	2	000051
Roll Pin	4	000052
Bearing Screw	8	000053
Seal Kit	-	000812

# R2-1500T Rotary Actuator

1500 in lbs. of Torque

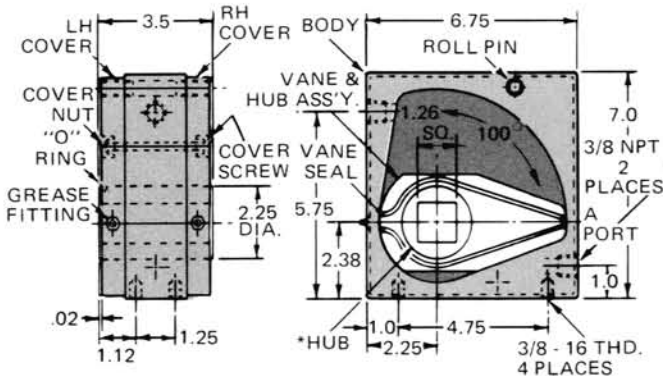


TO ORDER COMPLETE ROTARY ACTUATOR, COMPONENT PARTS, & OPTIONAL HUB. SEE CHART BELOW

DESCRIPTION	NO. REQ'D.	BTM NO.
Assembly	1	000069
Body	1	000070
RH Cover	1	000071
LH Cover	1	000072
Vane Ass'y.	1	000073
"O" Ring	2	000047
Cover Screw	11	000077
Cover Nut	11	000078
Grease Fitting	2	000050
Vane Seal	2	000062
Roll Pin	4	000052
Seal Kit	-	000811

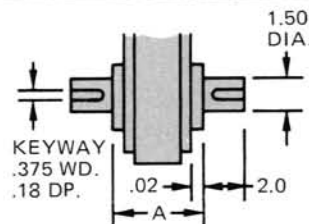
# R2-1200T Rotary Actuator

1200 in lbs. of Torque



TO ORDER COMPLETE ROTARY ACTUATOR, COMPONENT PARTS, & OPTIONAL HUB. SEE CHART BELOW

DESCRIPTION	NO. REQ'D.	BTM NO.
Assembly	1	000063
Body	1	000301
RH Cover	1	000302
LH Cover	1	000303
Vane Ass'y.	1	000304
"O" Ring	2	000308
Cover Screw	9	000077
Cover Nut	9	000078
Grease Fitting	2	000050
Roll Pin	4	000052
Vane Seal	2	000058
Seal Kit	-	000810



"S" HUB (OPTIONAL)

MODEL	A	BTM NO.
R2-1200T	3.5	000064
R2-1500T	3.5	000369
R2-5000T	4.0	000373

HOW TO ORDER COMPLETE ROTARY ACTUATOR	6	R2	- 100 - 5000T	"H" or "S" HUB
QUANTITY	6	ROTARY	DEGREES OF ROTATION (100 MAX.)	TORQUE
			STANDARD HUB	OPTIONAL HUB (SEE CHART)

HOW TO ORDER COMPONENT PARTS	2	R2 - 1200T	VANE SEAL	000058
QUANTITY	2	MODEL	PART	BTM NUMBER

TORQUE RATINGS ARE BASED ON 80 PSI. BTM'S DESIGN ALLOWS FOR SIMPLE POWER TAKE OFF & EASY MOUNTING LUBRICATION - AIR LINE OIL & HIGH PRESSURE GREASE AT FITTINGS TOLERANCES - SEE BULLETIN 31.1 WEIGHT (R2 - 1200T - 18 LBS.) (R2 - 1500T - 28 LBS.) (R2 - 5000T - 53 LBS.)

TO FIGURE AIR CONSUMPTION AT YOUR CYCLE RATE AND LINE PRESSURE SEE EXAMPLE BELOW.

AIR CONSUMPTION

R2 - 1200T - 55 CUBIC INCHES FREE AIR

R2 - 1500T - 80 CUBIC INCHES FREE AIR

R2 - 5000T - 250 CUBIC INCHES FREE AIR

$$\text{CUBIC INCHES FREE AIR} \times \text{CYCLES PER MINUTE} = 1728 \times \frac{14.7 + 80 \text{ PSI LINE PRESSURE}}{14.7} = \text{ICFM AT 80PSI}$$