

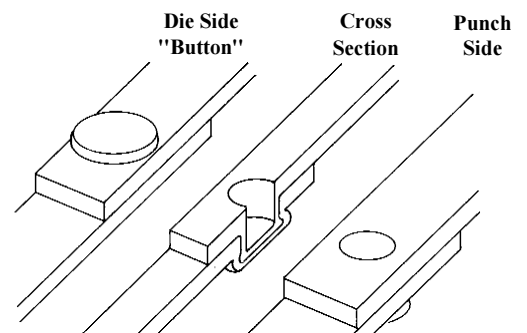
Electrically Powered Hydraulic Pump System *with the Heavy Duty Tog-L-Loc® Hand Unit*

## SHEET METAL JOINING *WITH HAND MANIPULATED CLINCHING UNITS*



Tog-L-Loc® joins plain or coated sheet metals with a strong, leakproof joint. Tog-L-Loc® is used in the assembly of automobiles, appliances, furniture, electrical components and many other sheet metal products.

Tog-L-Loc® is characterized by its omnidirectional strength, excellent fatigue properties and exceptional tool life.

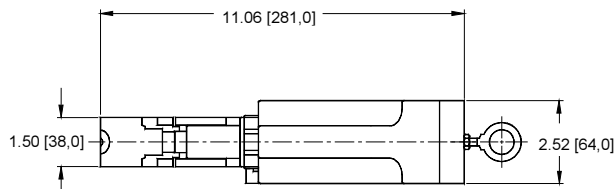


The stripper clamps the metals to the die as the punch advances. The punch draws the metals into the die and squeezes them against the anvil. The metals flow outwardly as the die blades open; this causes the diameter of the lock to expand.

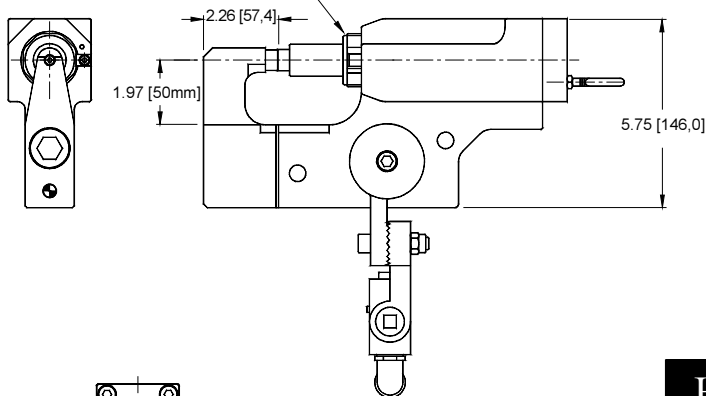


## HAND UNIT SPECIFICATIONS

**50mm BORE x 35mm STROKE**  
**Hand Held Unit with**  
**BTM Electric Trigger Handle Assembly**  
**BTM No. 700600L**



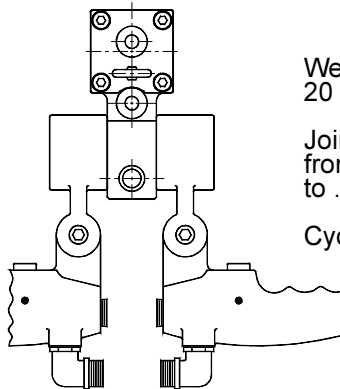
ADJUSTMENT  
FOR BUTTON  
DIMENSION



Weight of Unit with Hose:  
20 lbs. ( 9 kg.)

Joins Two Metal Layers  
from .036 (0.9mm) Total  
to .148 (3.8 mm) Total

Cycle Time: 1.5 seconds



Other anvil styles are available.

## TOG-L-LOC<sup>®</sup> TOOLING

### 3.0 TOG-L-LOC TOOLING

#### Punch

.010 [0,25] P.T.R. =713800A  
 .020 [0,51] P.T.R. =713800E

#### Die

.020 [0,51] A.D. =711400B  
 .025 [0,64] A.D. =711400C  
 .030 [0,76] A.D. =711400D  
 .035 [0,89] A.D. =711400E  
 .040 [1,02] A.D. =711400F  
 .045 [1,14] A.D. =711400G

#### Stripper Tip

3,0 TL = 006738

#### Anvil

3,0 TL = 700601L

### 4.6 TOG-L-LOC TOOLING

#### Punch

.010 [0,25] P.T.R. =713900A  
 .020 [0,51] P.T.R. =713900E

#### Die

.030 [0,76] A.D. =711500D  
 .035 [0,89] A.D. =711500E  
 .040 [1,02] A.D. =711500F  
 .045 [1,14] A.D. =711500G  
 .050 [1,27] A.D. =711500H  
 .055 [1,40] A.D. =711500J  
 .060 [1,52] A.D. =711500K

#### Stripper Tip

4,6 TL = 006621

#### Anvil

4,6 TL = 700602L

## HYDRAULIC PUMP SPECIFICATIONS

### Electrical Supply:

Standard: 115 volt 60 HZ single phase 20 amp

Optional: 220 volt 50 HZ single phase 15 amp

**Power Consumption:** 2300 watts

**Maximum Pressure:** 2800 psi (193 bar)

**Maximum Working Pressure:** 2500 psi (160 bar)

**Tank Capacity:** 11 Gallons (40 liters)

**Recommended Oil:** Mobil DTE -24

**Weight without oil:** 267 lbs. (121 kg)

**Dimensions:** 20.5" x 17" x 48" (53 cm x 44 cm x 123 cm)

• Pump automatically shuts down after 60 minutes idle time •